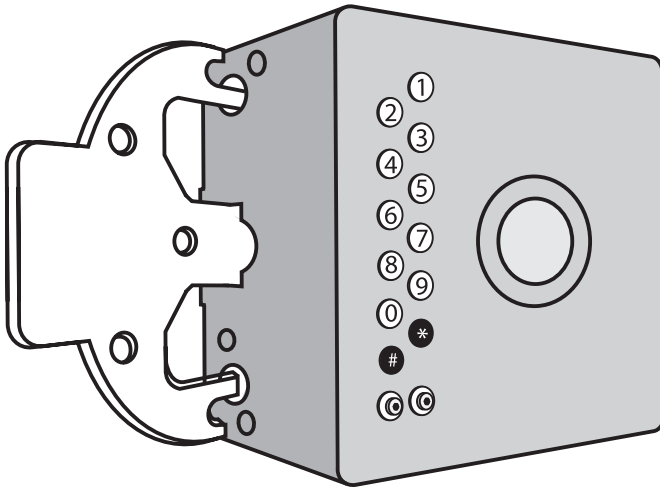


Block Lock Installation Guide

Includes easy step by step setup, lists of contents and tools required



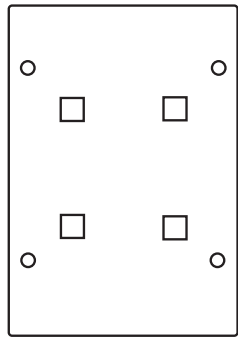
loxal
INTELLIGENT DIGITAL ACCESS



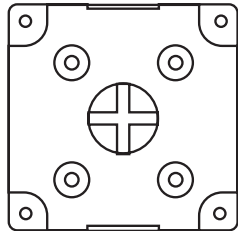
Security Digital Access Products

Installation Guide

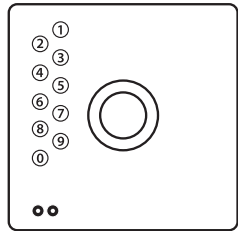
Block Lock



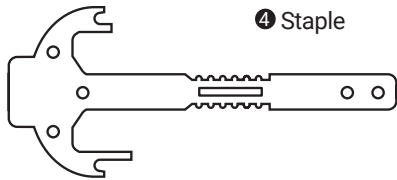
1 Fixing Plate



2 Fixing Block



3 Block Lock body



4 Staple



T25 M5 x 16 Torx screw
 Spacer and M5 nylock staple stop
 T20 M4 x 10 Torx screws
 Coach bolts 40mm to 70mm supplied

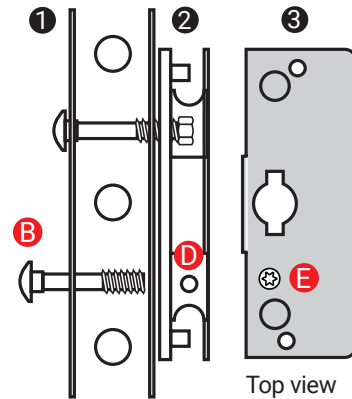
User guide

The block lock can be installed in a number of ways. The "block" is the part that is fixed. This can be done from the front with traditional plugs and bolts or more effectively from the back where the block is "clamped" in place.

Our unique clamping fixing method means the block can be fixed to virtually any opening. This guide explains how to fix the block in place via the clamping method.

Fixing guide

1 Installing the fixing block



Top view

- 1 To fix on solid material drill 4 x 10mm holes
- 2 Use the fixing plate 1 as a template to mark the holes prior to drilling
- 3 When fixing to palisade fence, use both fixing plates 1 either side
- 4 Insert the coach bolts B so they are protruding approximately 30mm from the outside.
- 5 Place fixing block 2 over threaded bolts and secure using 4 x M8 nuts C
- 6 Ensure the threaded insert D is facing the top.

2 Installing the Block Lock body

- 7 Place block lock 3 over the fixing block and secure with Torx screws E top and bottom
- 8 With unit in the unlocked position (middle button out) F Insert the staple 4
- 9 The staple should move freely left and right. Insert staple stop G to end use long nose pliers to hold M5 Nylock in place (Torx screw side) when tightening the T25 Torx screw

Now the block is installed the staple can be fitted from either side depending on the configuration of the area to be secured.

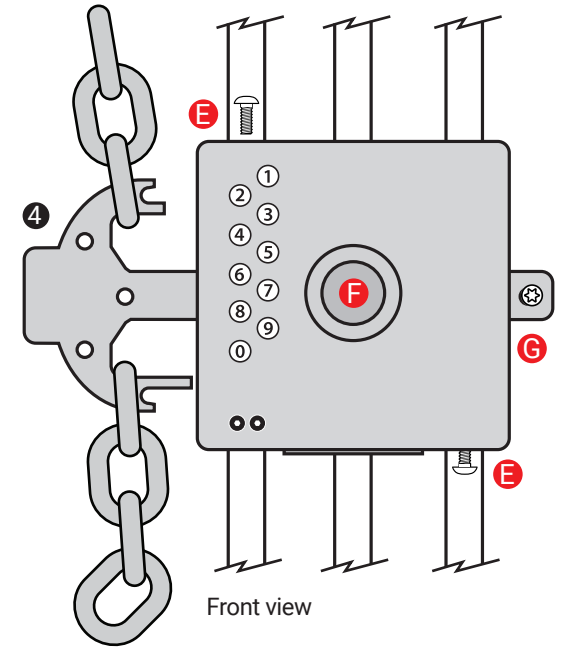
To lock simply slide the the staple in to the body of the Block Lock and press the middle button fully in.

To unlock simply enter an authorised IDACS code. You will hear a acceptance beep and the button will pop out. Then slide the staple away from the body to release the chain.

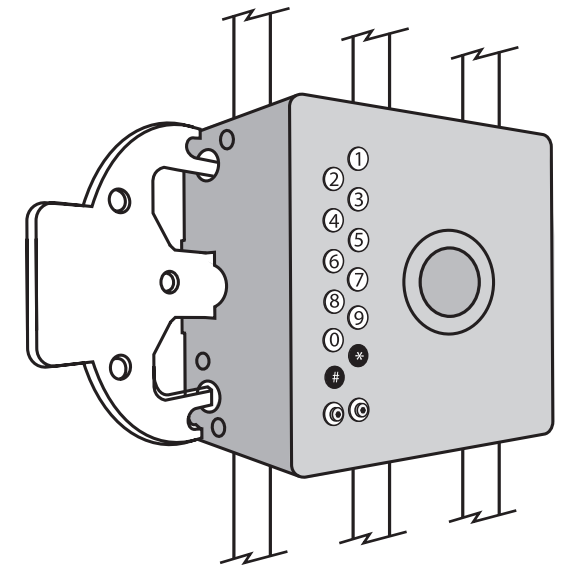
We recommend a minimum 10mm hardened chain.

Tools required for a trouble free installation

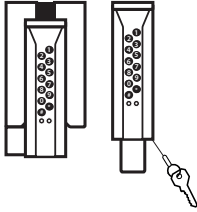
- T20 and T25 Torx driver bit
 - 10mm and 13mm spanner or socket
- When installing staple stop we recommend the use of long nose pliers to hold nylock in place whilst tightening. Depending on location of lock you may require a 10mm drill bit.



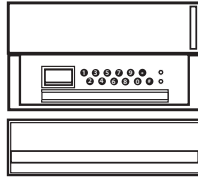
Front view



Also available from Loxal



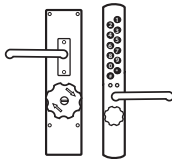
Face Fix Key Safe



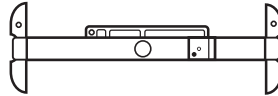
Letterbox Key Safe



Integrated visual
verification wireless
alarm system



Digital Lock
Converter



Locking Bar



**For technical support please call
Loxal on 0800 9172994**

Loxal Security, Unit 5, Sevenoaks Business Centre
Cramptons Road, Sevenoaks, Kent TN14 5DQ

loxalsecurity.com